

Yuasa UXH Series VRLA Battery, 10 Years Design Life

Yuasa UXH batteries are constructed to yield even greater capacity than comparable batteries. The UXH uses AGM technology which ensures that there is no 'free acid' in the battery. This allows the battery to be mounted either vertically or horizontally. An additional feature of this product is Yuasa's heavy duty lead calcium-tin alloy, providing the UXH battery the ability to remain in float service for 10 years.

- 10 Year Design Life
- High Energy Density
- Gas Pressure Venting System
- No Equalising Charge Required

General Performance

| | | |
|-------------------------|------------------------|--------|
| Battery | UXH50-12 | |
| Application | Floating | |
| Design Life | 10 Years | |
| Nominal Capacity | 50Ah | |
| Actual Capacity at 25°C | 1 hour rate to 1.70 V | 29.0Ah |
| | 3 hour rate to 1.70 V | 39.0Ah |
| | 10 hour rate to 1.80 V | 46.0Ah |

Electrolyte

| | |
|-----------------------------|-----------------------|
| Full charge density at 20°C | 1.300 |
| Density Range | 1.290-1.310 |
| Gelled/Absorbed | Absorbed |
| Mounting Orientation | Vertical / Horizontal |

Plates

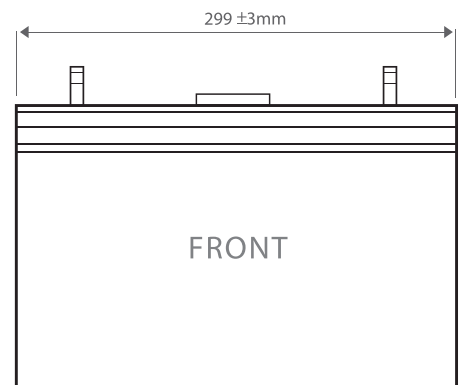
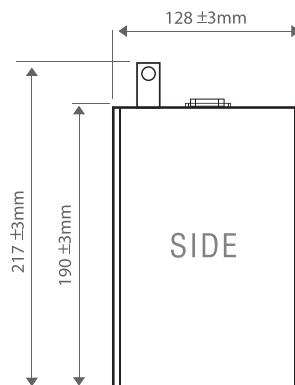
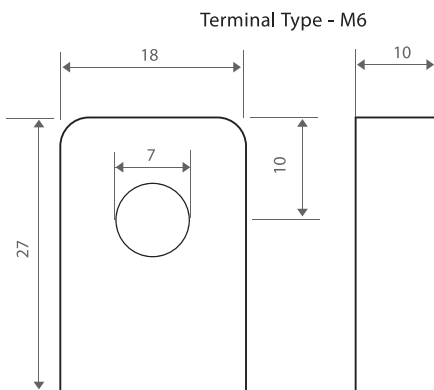
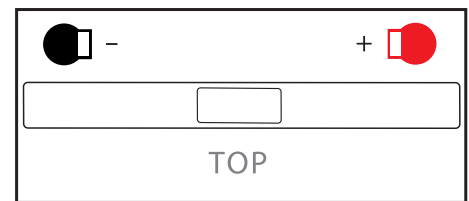
Positive Plates:

| | |
|------------------|------------------------|
| Number/cell | 4 |
| Typ | Flat Pasted |
| Material of grid | Lead-Calcium-Tin Alloy |
| Thickness | 4.0 mm |

Negative Plates:

| | |
|------------------|------------------------|
| Number/cell | 5 |
| Type | Flat Pasted |
| Material of grid | Lead-Calcium-Tin Alloy |
| Thickness | 2.3 mm |

* Contact Century Yuasa for information specific to your application



All reasonable care has been taken to ensure that the data presented in this document is accurate for the purpose for which it is presented. CenturyYuasa reserves the right to make changes to its products and information contained in this document without notice, and shall not be held liable for any loss or damage claimed to have arisen as a result of the use of this brochure.



Yuasa UXH Series VRLA Battery, 10 Years Design Life

Physical Properties

| Separators | |
|----------------------------------|---|
| Type | Glass Mat |
| Is glass fibre included? | Yes |
| Thickness | 1.5 mm |
| Container & Cover Materials | |
| Lid Material, Colour | Acrylonitrile Butadiene Styrene ABS/Dark Grey |
| Container Material, Colour | Acrylonitrile Butadiene Styrene ABS/Dark Grey |
| Flame Retardant | No |
| Safety Vent Operational Pressure | 20kPA |
| Flame Arrestor Filter Fitted | Yes |
| Dimensions | |
| Width | 299 mm ± 3 |
| Depth | 128 mm ± 3 |
| Height | 190 mm ± 3 |
| Overall Height | 217 mm ± 3 |
| Battery Weight (kg) | |
| Total Weight (wet) | 21 kg |

Electrical Properties

| | | | |
|---|----------------|-----------|-----------|
| Self Discharge Rate @ 25°C | < 3% per month | | |
| Normal Charge (Amperes) | 5A | | |
| Max. Charge (Amperes) | 10A | | |
| Max. Sustained Current without damage (discharging) | 230A (5 sec) | | |
| Internal Resistance (mOHMS) | 6.0mΩ | | |
| Volts End of Charge | 2.275 Vpc | | |
| | 20°C | 25°C | 30°C |
| Float Voltage (Vpc) | 2.290 Vpc | 2.275 Vpc | 2.260 Vpc |
| Float Current (mA) | ~50mA | ~50mA | ~50mA |
| Initial Short circuit current (A) | ~2275A | | |
| Efficiency at 10 hour rate (%) | | | |
| Ampere-Hour | > 90% | | |
| Watt-Hour | > 78% | | |

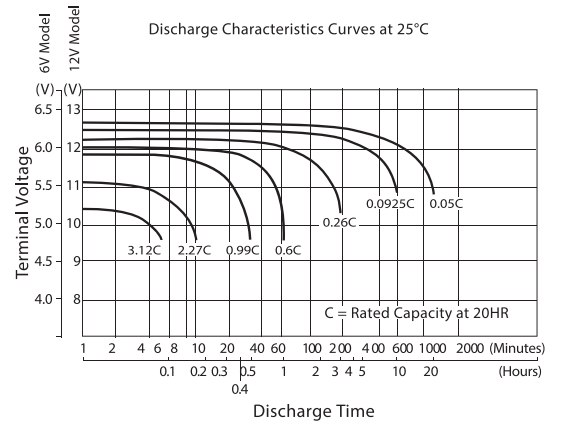
Torque Setting

| | |
|-------------------------|----------------|
| Terminal Torque Setting | 3.9 - 5.4 N.m. |
|-------------------------|----------------|

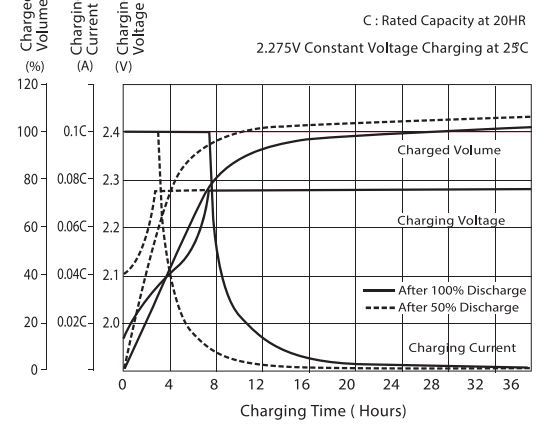
Compliant Standard

| | |
|------------------------|-------------------|
| Manufacturing Standard | JIS C8704-2: 1999 |
|------------------------|-------------------|

Discharge Characteristics



Charging Characteristics



View Yuasa UXH Range by visiting intelepower.com.au/products/yuasa-uxh-range/

An affiliated business of the GS Yuasa Corporation, Century Yuasa has an 100-year history of supplying a range of stored energy solutions to the Australian market. An established network of sales and distributions offices throughout Australia and New Zealand has seen the business gain the trust and respect from its customers by focusing on quality products and exceptional customer service. CenturyYuasa is Australia's enduring manufacturer of stored energy products.