

Yuasa FXH Series VRLA Battery, 10 Years Design Life

The Yuasa FXH series is designed to provide the highest possible energy density, while offering a 10-year design life product. Incorporating valve regulated technology, Yuasa's FXH is ideally suited for communication racks, with the front terminal connection providing quick and safe installation and maintenance.

- Front terminal construction
- Long service life: 10 years, @ 25°C
- Flame retardant battery lid and container (UL94 V-0)

General Performance

Battery	FXH155-12S	
Application	Floating	
Design Life	10 Years	
Nominal Capacity	155Ah @ 10Hr (to 1.80Vpc)	
Actual Capacity at 25°C	Ah @ C1 to 1.80Vpc	104Ah
	Ah @ C3 to 1.80Vpc	126.9Ah
	Ah @ C10 to 1.80Vpc	155Ah
	Wh @ C1 to 1.80Vpc	1223Wh
	Wh @ C3 to 1.80Vpc	1521Wh
	Wh @ C10 to 1.80Vpc	1850Wh

* Contact Century Yuasa for information specific to your application



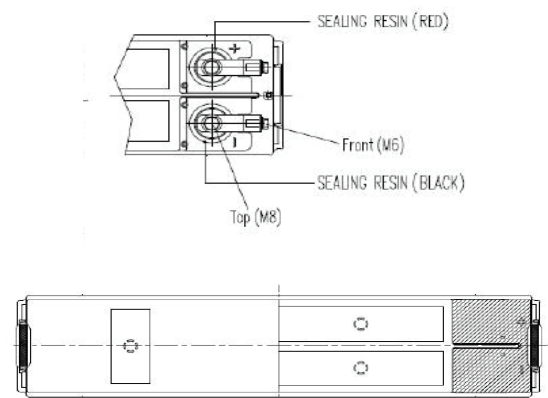
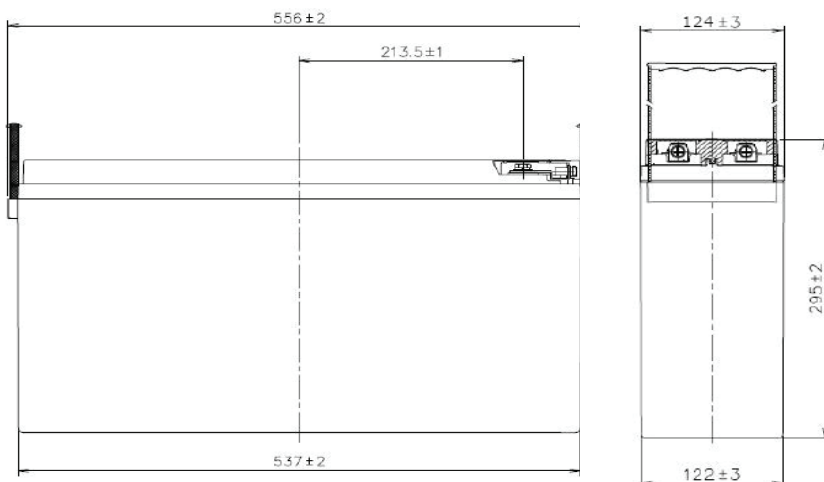
Plates

Positive Plates:

Number/cell	7
Typ	Flat Pasted
Material of grid	Lead-Calcium-Tin Alloy
Thickness	3.0 mm

Negative Plates:

Number/cell	8
Type	Flat Pasted
Material of grid	Lead-Calcium-Tin Alloy
Thickness	1.78 mm



All reasonable care has been taken to ensure that the data presented in this document is accurate for the purpose for which it is presented. CenturyYuasa reserves the right to make changes to its products and information contained in this document without notice, and shall not be held liable for any loss or damage claimed to have arisen as a result of the use of this brochure.



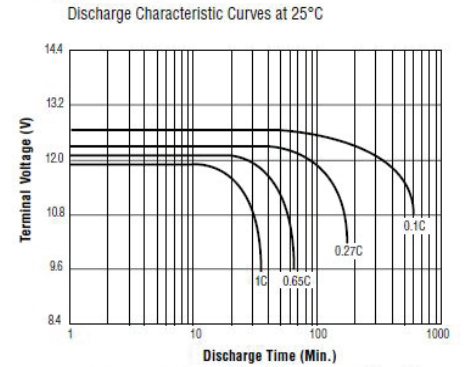
Yuasa FXH Series VRLA Battery, 10 Years Design Life

Physical Properties	
Separators	
Type	Glass Mat
Is glass fibre included?	Yes
Thickness	0.9 mm
Container & Cover Materials	
Lid Material, Colour	Acrylonitrile Butadiene Styrene ABS/Grey
Container Material, Colour	Acrylonitrile Butadiene Styrene ABS/Grey
Flame Retardant	Yes - UL94VO
Safety Vent Operational Pressure	20kPA
Mounting Orientation	Vertical
Dimensions	
Width	124 mm ± 3
Depth	556 mm ± 3
Height	295 mm ± 3
Overall Height	295 mm ± 3
Battery Weight (kg)	
Total Weight (wet)	51 kg
Terminal	
Terminal Type	M6 Bolt
Terminal Torque	4.9 - 6Nm

Electrical Properties			
Self Discharge Rate @ 25°C	< 3% per month		
Normal Charge (Amperes)	15.5A		
Max. Sustained Current without damage (discharging)	930A (5 sec)		
Internal Resistance (mOHMS)	2.7 m Ω		
Volts End of Charge	2.275 Vpc		
	20°C	25°C	30°C
Float Voltage (Vpc)	2.290 Vpc	2.275 Vpc	2.260 Vpc
Float Current (mA)	<155mA	<155mA	<155mA
Initial Short circuit current (A)	3640A		
Efficiency at 10 hour rate (%)			
Ampere-Hour	> 90%		
Watt-Hour	> 78%		

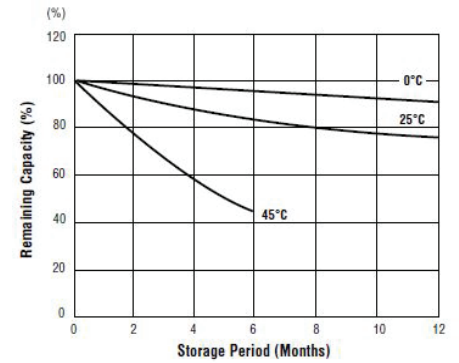
Compliant Standard	
Manufacturing Standard	JIS C8704-2: 1999

Discharge Characteristics

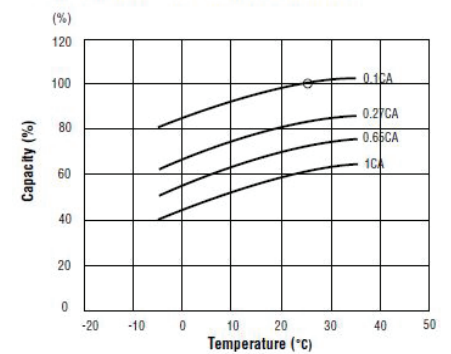


Please consult with us in case of use at discharge current of 1C or larger

Self Discharge Characteristics



Temperature and Discharge Capacity



View Yuasa FXH Range by visiting intelepower.com.au/products/yuasa-fxh-range

An affiliated business of the GS Yuasa Corporation, Century Yuasa has an 100-year history of supplying a range of stored energy solutions to the Australian market. An established network of sales and distributions offices throughout Australia and New Zealand has seen the business gain the trust and respect from its customers by focusing on quality products and exceptional customer service. CenturyYuasa is Australia's enduring manufacturer of stored energy products.