

## Yuasa Ultra Extended Life Series VRLA Battery, 15 Years Design Life

Since 1984, the Yuasa UXL series battery has established a reputation as a very reliable power source. These batteries are designed to meet the growing request for longer life and higher reliability. Constructed with special electrolyte separators, the Yuasa UXL battery is guaranteed to have no 'free acid'. This feature allows the battery to be mounted either vertically or horizontally.

- 15 Year Design Life
- Non-Spillable Battery (No Free Acid)
- Gas Pressure Venting System
- No Equalising Charge Required

### General Performance

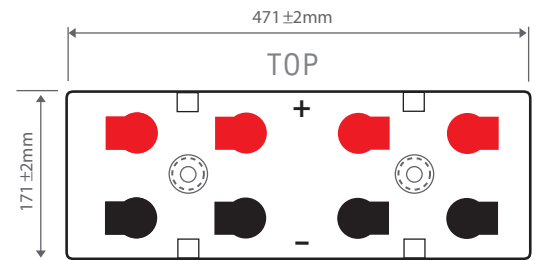
|                         |                       |        |
|-------------------------|-----------------------|--------|
| Battery                 | UXL1100-2             |        |
| Application             | Floating/Standby      |        |
| Design Life             | 15 Years              |        |
| Nominal Capacity        | 1000Ah                |        |
| Actual Capacity at 25°C | 1 hour rate to 1.70V  | 654Ah  |
|                         | 3 hour rate to 1.70V  | 846Ah  |
|                         | 10 hour rate to 1.85V | 943Ah  |
|                         | 10 hour rate to 1.80V | 1000Ah |

### Electrolyte

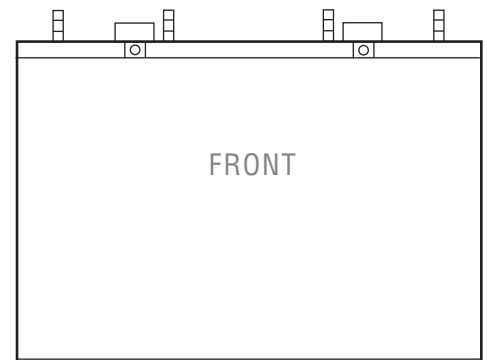
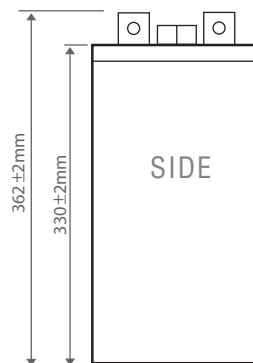
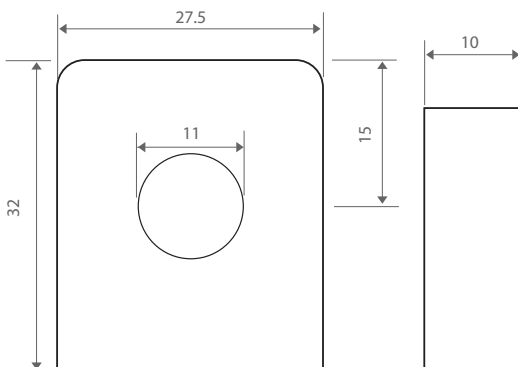
|                              |                     |
|------------------------------|---------------------|
| Fully charge density at 25°C | 1.260               |
| Density Range                | 1.250-1.270         |
| Gelled/Absorbed              | Gelled/Absorbed     |
| Mounting Orientation         | Vertical/Horizontal |

### Plates

|                         |                  |
|-------------------------|------------------|
| <b>Positive Plates:</b> |                  |
| Number/cell             | 40               |
| Type                    | Flat Pasted      |
| Material of grid        | Calcium Lead Tin |
| Thickness               | 4.2 mm           |
| <b>Negative Plates:</b> |                  |
| Number/cell             | 42               |
| Type                    | Flat Pasted      |
| Material of grid        | Calcium Lead Tin |
| Thickness               | 2.4 mm           |



Terminal Type - M10



**Yuasa Ultra Extended Life Series VRLA Battery, 15 Years Design Life**

## Physical Properties

| Separators                       |  |
|----------------------------------|--|
| Type                             | Glass Mat                                |
| Is glass fibre included?         | Yes                                      |
| Thickness                        | 3.0 mm                                   |
| Container & Cover Materials      |  |
| Cell Material, Colour            | Acrylonitrile Butadiene Styrene ABS/Grey |
| Battery Material, Colour         | Acrylonitrile Butadiene Styrene ABS/Grey |
| Flame Retardant                  | Yes - UL94VO                             |
| Safety Vent Operational Pressure | 20kPA                                    |
| Dimensions:                      |  |
| Width                            | 171mm ± 2                                |
| Depth                            | 471mm ± 2                                |
| Height                           | 330mm ± 2                                |
| Overall Height                   | 362mm ± 2                                |
| Battery Weight (kg)              | 71.1 kg                                  |

## Electrical Properties

| Self Discharge Rate @ 25°C                          | <3% / mth          |          |          |
|---|--------------------|----------|----------|
| Normal Charge (Amperes)                             | 100A               |          |          |
| Max. Charge (Amperes)                               | 100A               |          |          |
| Max. Sustained Current without damage (discharging) | 3500A~max 1 minute |          |          |
| Internal Resistance (mOHMS)                         | 0.15 mΩ            |          |          |
| Volts End of Charge                                 | 2.23Vpc            |          |          |
|   | 20°C               | 25°C     | 30°C     |
| Float Voltage                                       | 2.24 Vpc           | 2.23 Vpc | 2.22 Vpc |
| Float Current (mA)                                  | <1000mA            | <1000mA  | <1000mA  |
| Initial Short circuit current (A)                   | ~14,800A           |          |          |
| Efficiency at 10 hour rate (%):                     |                    |          |          |
| Ampere-Hour   | >90%               |          |          |
| Watt-Hour   | >78%               |          |          |

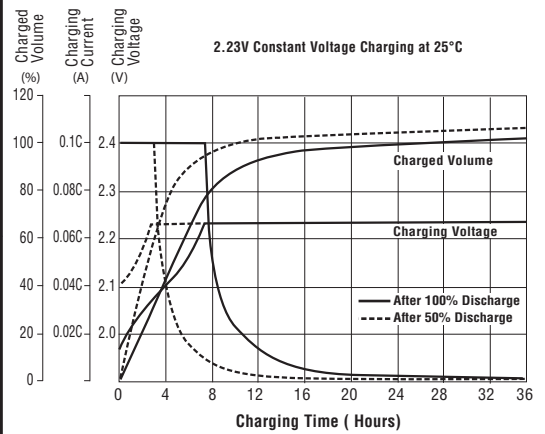
## Torque Setting

|                         |                  |
|-------------------------|------------------|
| Terminal Torque Setting | 14.7 - 19.6 N.m. |
|-------------------------|------------------|

## Compliant Standard

|                        |                   |
|------------------------|-------------------|
| Manufacturing Standard | JIS C8704-2: 1999 |
|------------------------|-------------------|

## Charging Characteristics



## Discharge Characteristics Curves at 25°C

