

Yuasa UXH Series VRLA Battery, 10 Years Design Life

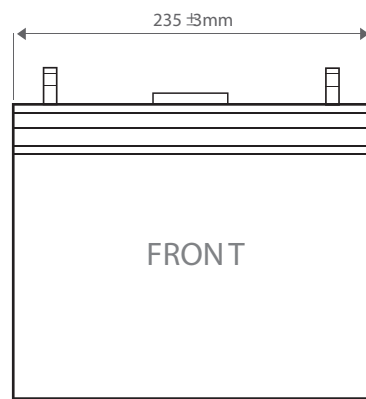
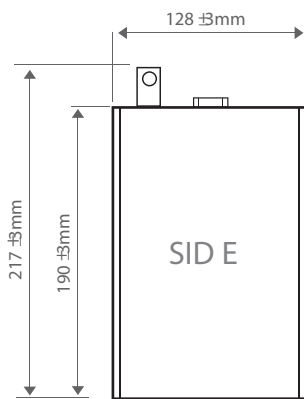
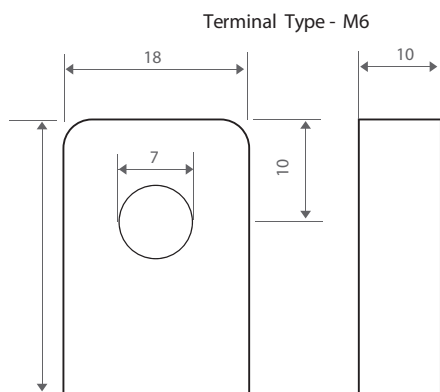
Yuasa UXH batteries are constructed to yield even greater capacity than comparable batteries. The UXH uses AGM technology which ensures that there is no 'free acid' in the battery. This allows the battery to be mounted either vertically or horizontally. An additional feature of this product is Yuasa's heavy duty lead calcium-tin alloy, providing the UXH battery the ability to remain in float service for 10 years.

- 10 Year Design Life
- High Energy Density
- Gas Pressure Venting System
- No Equalising Charge Required

General Performance		
Battery	UXH38-12	
Application	Floating	
Design Life	10 Years	
Nominal Capacity	38Ah	
Actual Capacity at 25°C	1 hour rate to 1.70 Vpc	22.0Ah
	3 hour rate to 1.70 Vpc	29.7Ah
	10 hour rate to 1.80 Vpc	35.0Ah

Electrolyte	
Fully charge density at 20°C	1.300
Density Range	1.290-1.310
Gelled/Absorbed	Absorbed
Mounting Orientation	Vertical/Horizontal

Plates	
Positive Plates:	
Number/cell	3
Type	Flat Pasted
Material of grid	Lead-Calcium-Tin Alloy
Thickness	4.0 mm
Negative Plates:	
Number/cell	4
Type	Flat Pasted
Material of grid	Lead-Calcium-Tin Alloy
Thickness	2.3 mm



Physical Properties

Separators	
Type	Glass Mat
Is glass fibre included?	Yes
Thickness	1.5 mm
Lid & Container Materials	
Lid Material, Colour	Acrylonitrile Butadiene Styrene ABS/Dark Grey
Container Material, Colour	Acrylonitrile Butadiene Styrene ABS/Dark Grey
Flame Retardant	No
Safety Vent Operational Pressure	20kPA
Flame Arrestor Filter Fitted	Yes
Dimensions:	
Overall Width	235 mm ± 3
Depth	128 mm ± 3
Height	190 mm ± 3
Overall Height	217 mm ± 3
Battery Weight (kg) Total (wet)	17 kg

Electrical Properties

Self Discharge Rate @ 25°C	<3% per month		
Internal Resistance (mOHMS)	7mΩ		
Normal Charge (Amperes)	3.8A		
Max. Charge (Amperes)	7.6A		
Max. Sustained Current without damage (discharging 5 sec)	175A		
Volts End of Charge	2.275 Vpc		
	20°C	25°C	30°C
Float Voltage (Vpc) pure floating applications	2.290 Vpc	2.275 Vpc	2.260 Vpc
Float Current (mA)	~38mA	~38mA	~38mA
Initial Short circuit current (A)	~1900A		
Efficiency at 10 hour rate (%):			
Ampere-Hour	>90%		
Watt-Hour	>78%		

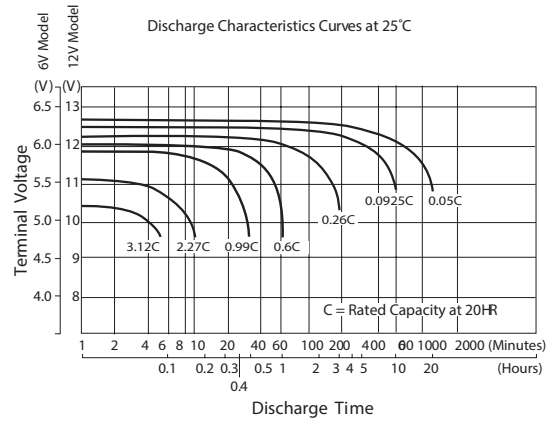
Torque Setting Technology

Terminal Torque Setting	3.9 - 5.4 N.m.
-------------------------	----------------

Compliant Standard Plate Technology

Battery Standard	JIS C8704-2: 1999 UL924, UL File No. MH12970
------------------	--

Discharge Characteristics



Charging Characteristics

